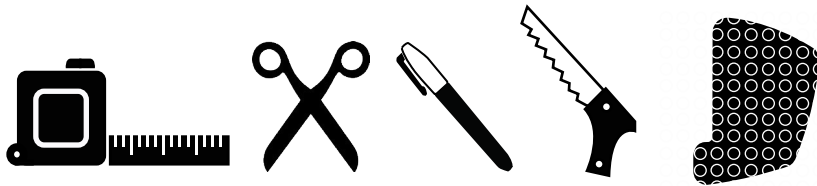


## YOU WILL NEED:



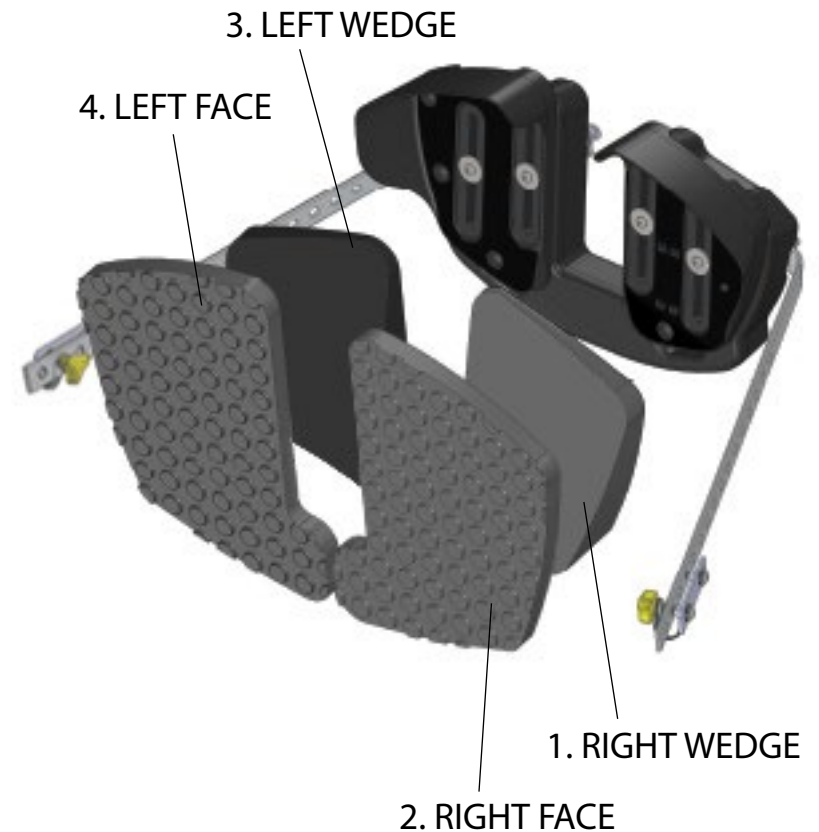
## READ ME FIRST:

1. SEE CORE WHITEOUT MANUAL TO SET PROPER BULKHEAD POSITION.
2. FOLLOW THE DIRECTIONS AND INSTALL FOAM IN THE ORDER SHOWN. (WEDGE, FACE)
3. DIMENSIONS WILL CHANGE WITH THE STACK-UP OF EACH FOAM PART. MEASURE, CUT AND INSTALL EACH PART SEPARATELY. **( DO NOT CUT ALL PARTS FIRST )**
4. INSTALL EACH PART IN THE SEQUENCE SHOWN, MEASURING AS YOU GO.
5. START WITH THE RIGHT SIDE FOAM. USE THE REVERSE SIDE OF THE TEMPLATE FOR THE LEFT SIDE FOAM.

## ORDER OF INSTALLATION:

1.

1. INSTALL THE FOAM PARTS #1 TO #4 IN ORDER STARTING WITH #1. RIGHT WEDGE.
2. AFTER EACH FOAM PART IS INSTALLED, MEASURE AND INSTALL THE NEXT PART IN SEQUENCE.

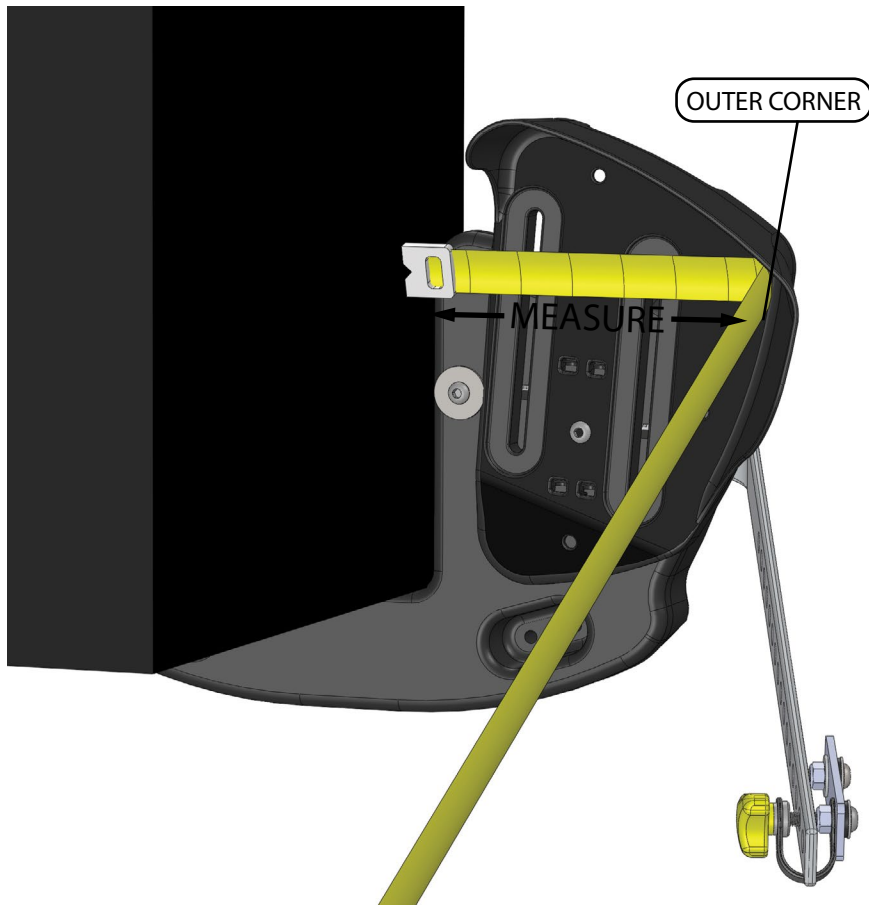


1.

## MEASURE WIDTH:



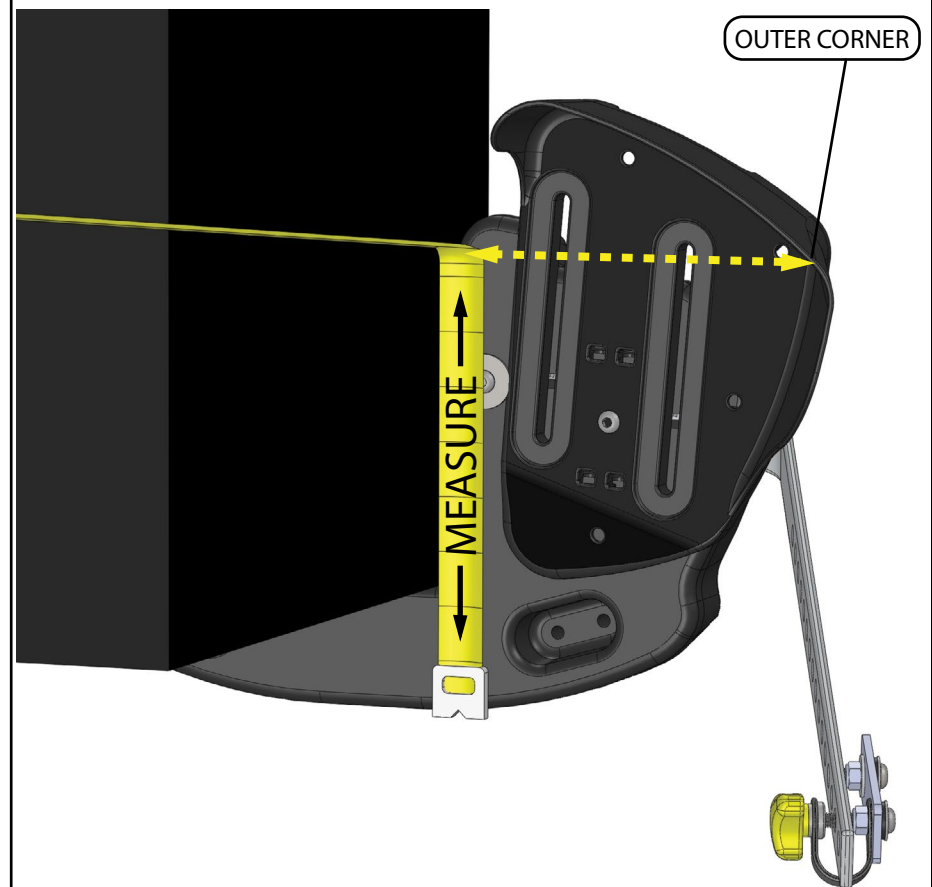
1. PLACE A TAPE MEASURE AGAINST THE SIDE OF THE BOW WALL AND EXTEND IT TOWARD OUTER CORNER OF THE TOECUP.
2. RECORD THE WIDTH TO THE OUTER CORNER.



## MEASURE HEIGHT:



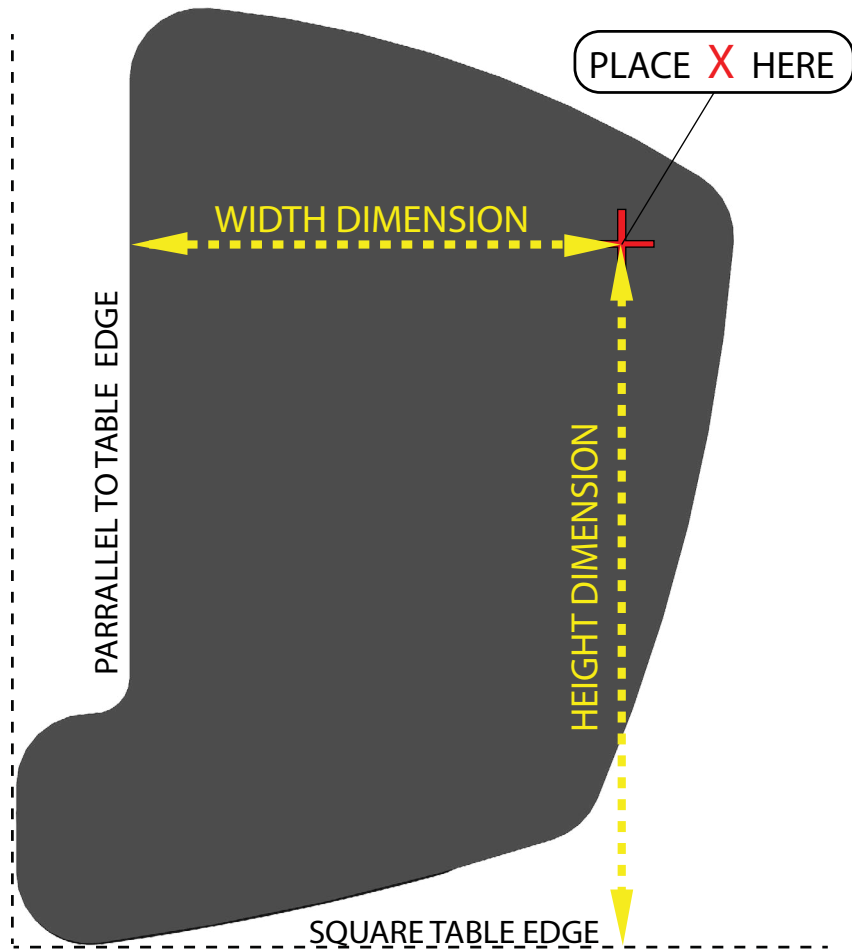
1. PLACE A TAPE MEASURE AGAINST THE HULL OF THE BOAT NEXT TO THE BOW WALL. EXTEND THE TAPE UPWARD AND APPROXIMATE THE HEIGHT OF THE OUTER CORNER OF THE TOECUP.
2. RECORD THE HEIGHT TO THE OUTER CORNER.



## MEASURE THE FOAM



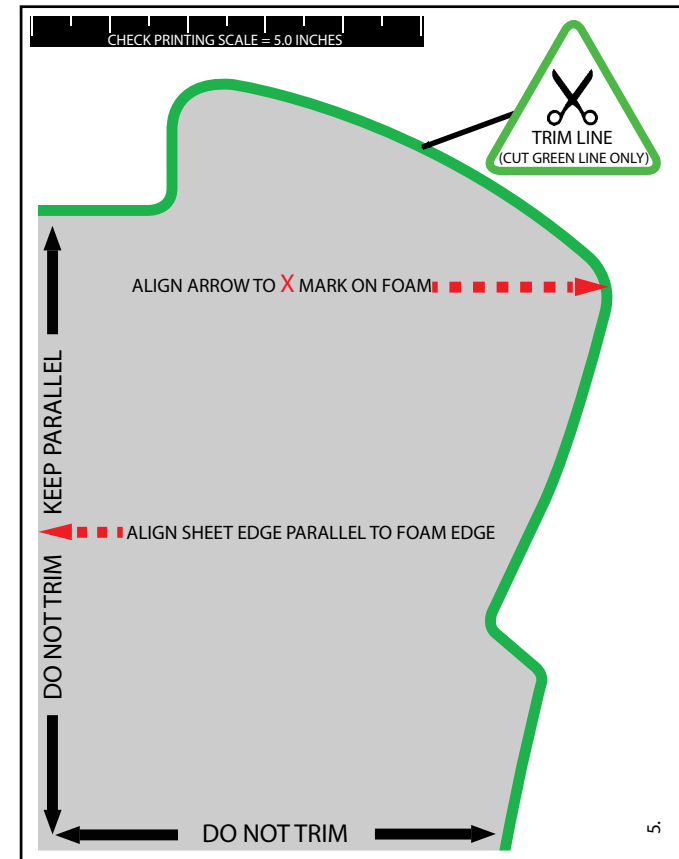
1. PLACE THE FOAM PART ON A SQUARE TABLE EDGE AND ALIGN THE INSIDE EDGE TO BE PARALLEL TO THE TABLE.
2. USE THE WIDTH AND HEIGHT DIMENSIONS TO MAKE AN X ON ON THE FOAM. (USE THE TABLE EDGE TO MEASURE HEIGHT, AND THE FOAM EDGE TO MEASURE WIDTH.)



## TRIM THE TEMPLATE



1. PRINTABLE TEMPLATES ARE PROVIDED ON PAGES 5 AND 6.
2. PRINT BOTH TEMPLATES: PAGE 5. FOR THE WEDGE AND PAGE 6. FOR FACE PART.
3. TRIM EACH TEMPLATE ALONG THE SOLID GREEN LINE.

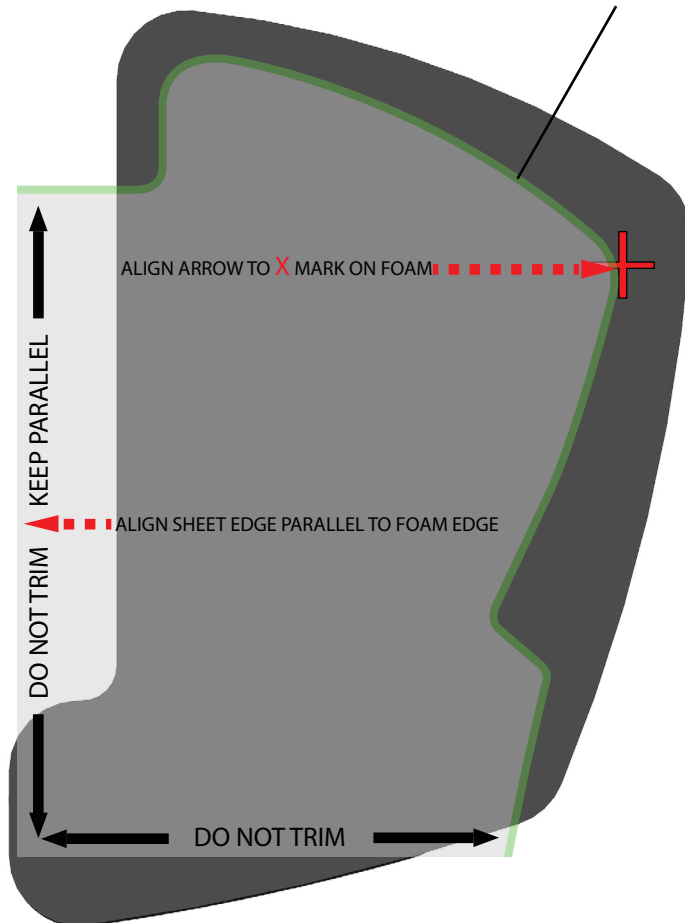


## TRACE THE FOAM



6.

1. PLACE THE TEMPLATE ON THE FOAM AND ALIGN THE TEMPLATE ARROW TO THE MARKED X.
2. MAKE SURE THE TEMPLATE IS PARALLEL WITH THE LEFT EDGE OF THE FOAM.
3. TRACE THE GREEN LINE ON THE FOAM USING A MARKER.



## TRIM AND INSTALL FOAM



7.

1. TRIM THE FOAM USING A HAND SAW OR BAND SAW.
2. CHECK THE FOAM FIT BY FIRMLY PRESSING INTO PLACE. MAKE SURE THAT THE HEEL TABS ARE PRESSED UNDER THE BOW WALL.
3. CHECK FOR GAPS OR INTERFERENCE THAT MIGHT PREVENT THE VELCRO AND ADHESIVE FROM STICKING.
4. REMOVE THE ADHESIVE BACKING AND CAREFULLY PRESS THE FOAM PART INTO PLACE.
5. PREPARE THE NEXT FOAM PART BY FOLLOWING STEPS #2 THROUGH #7 FOR EACH ADDITIONAL PART.

## PRO TIPS:

ELEVATE YOUR BOAT. PLACE YOUR BOAT ON PICNIC TABLE OR WORK BENCH TO HAVE BETTER ACCESS.

FOR A GOOD FIT, REMOVE MATERIAL SLOWLY, CHECKING FIT AS YOU WORK.

USE A BAND SAW FOR A CLEAN FOAM CUT. A HANDSAW OR UTILITY KNIFE WILL REQUIRE MORE WORK.

USE A FOAM RASP OR COURSE GRIT SANDPAPER TO CLEAN UP EDGES.



ALIGN ARROW TO **X** MARK ON FOAM

**RIGHT TEMPLATE FOR  
1. FOAM WEDGE**

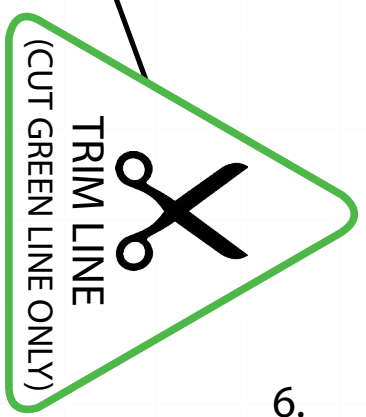
**FOR LEFT TEMPLATE  
3. FOAM WEDGE  
USE REVERSE SIDE**

KEEP PARALLEL

ALIGN SHEET EDGE PARALLEL TO FOAM EDGE

DO NOT TRIM

DO NOT TRIM



ALIGN ARROW TO X MARK ON FOAM



KEEP PARALLEL

ALIGN SHEET EDGE PARALLEL TO FOAM EDGE



RIGHT TEMPLATE FOR  
2. FOAM FACE

FOR LEFT TEMPLATE  
4. FOAM FACE  
USE REVERSE SIDE

DO NOT TRIM



DO NOT TRIM

